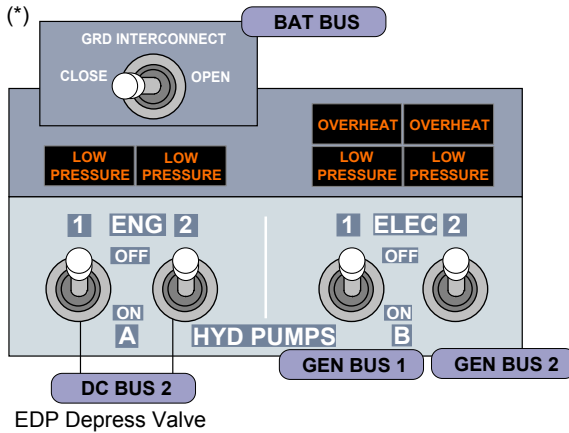


HYDRAULIC SYSTEM



(*) GRD Interconnect Valve requires Air/Gnd Sensor in Gnd-Mode and Parking Brakes SET

System	USG	Indication	Pressure	Status
A	3.50	F	3000 PSI	Full
	2.40	RF	3000 PSI	Refill Limit
	1.80	1.8	3000 PSI	Leak in System B (Low Qty) Loss of System B
	1.80	1.8	3000 PSI	Leak in STBY System (Low Qty) Loss of STBY System
B	0.00	0	0 PSI	Leak in pumps or hydraulic lines Loss of System A
	1.30		3000 PSI	Full
STBY	0.65	LOW QTY	0 PSI	Low Quantity Loss of System B
	1.90			Full
	0.95	LOW QTY		Low Quantity Loss of STBY System

45-50 PSI pneumatic pressure

